

# ZECA

Z

TECHNICAL EXCELLENCE. SINCE 1929.

## INDUSTRIAL CABLE REELS SERIES 4000

### ART. 4215

Length (m)  
**16**

Number of conductors  
**2 X**

Cross-section (mm<sup>2</sup>)  
**1.5**

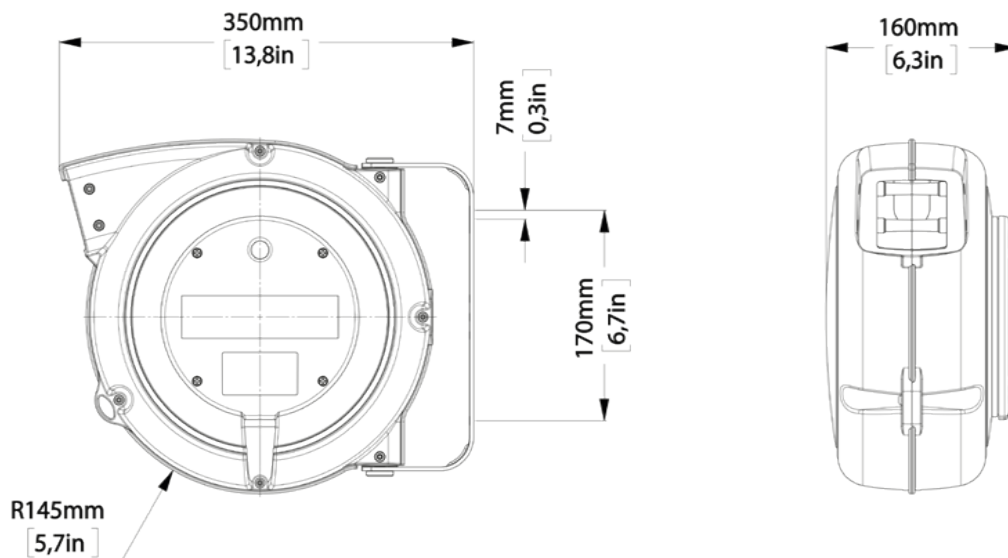
Wound cable capacity (@20°C)  
**1,1 KW @ 230V**



### TECHNICAL DATA

Article	Cable length (m)	Reel cable length (m)	Cut length (m)	Number of conductors	Cross-section (mm <sup>2</sup> )	Wound cable capacity (@20°C)	Unwound cable capacity (@20°C)	Cable diameter (mm)	Thermal switch	V max	Cable type
4215	16	15	1	2 X	1.5	1,1 KW @ 230V	1,6 KW @ 230V	8	YES	500	PVC

## OVERALL DIMENSIONS



## Technical features

- Structural elements of the winder in shockproof plastic.
- Roller cable guide mouth.
- Cable stop device with rack that can be inserted every 50 cm. Easily eliminated if the cable is constantly in traction.
- Double ground contact.
- Collector insulation voltage 2.5 KV.
- Sliding contacts with collector ring and brushes.
- Degree of protection IP42.
- Supplied without piece on the power supply side.
- Models with both PVC and rubber cables are available.
- Ambient temperature of use: -5 ° / + 50 °.

## OPTIONAL ACCESSORIES AND SPARE PARTS

### **ART. 949/804-4000**

for winder 4000

Optional device to make the hose reel fixed instead of swiveling.

Indispensable for ceiling application.

Special versions

**ART.**

Cable reel with Schuko plugs and sockets

